

TECHNICAL DATA SHEET

DISHWASHER | PE500

Code 4012336

12 Month Parts & Labour Warranty

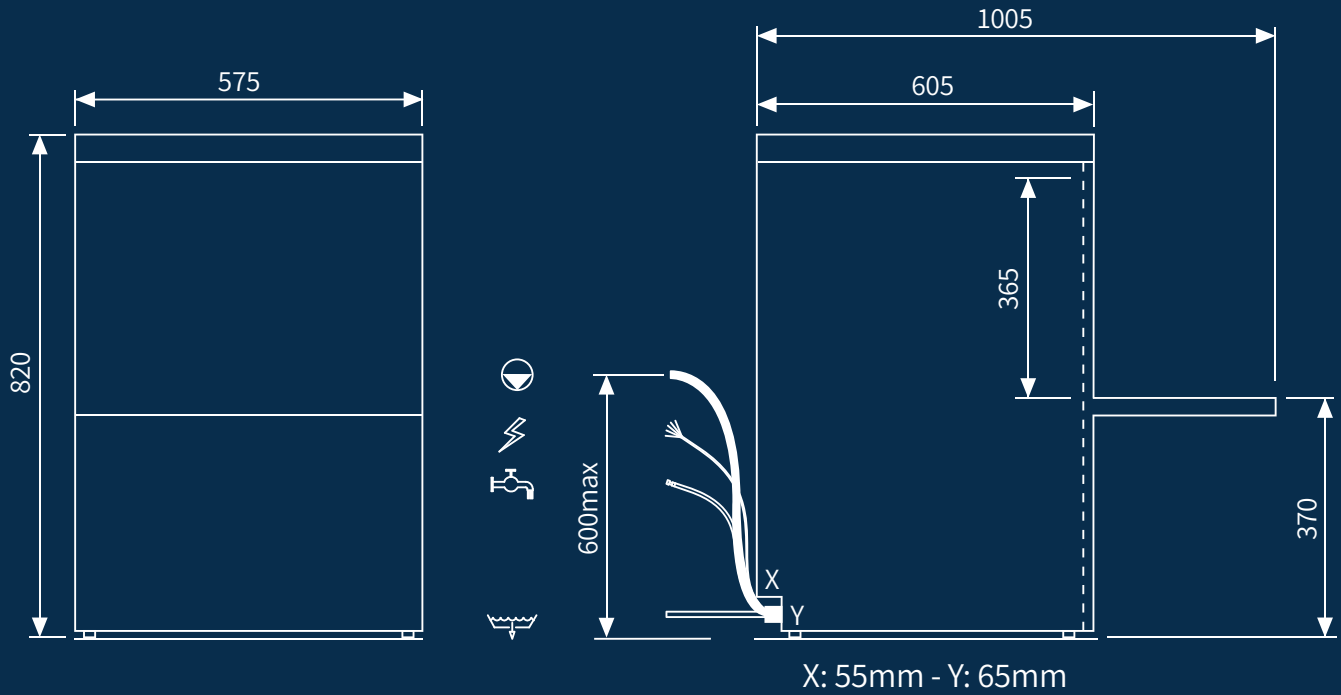


| | | | |
|---|--|----------------|---------------------------|
| EXTERNAL DIMENSIONS, WEIGHT & VOLUME | Overall Dimension (Width-Depth-Height) *Open | mm | 575 x 605 (1005*) x 820 |
| | Packaging Dimension (W x D x H) | mm | 690 x 670 x 980 |
| | Gross Weight | Kg | 62 |
| | Net Weight | Kg | 56 |
| | Volume | M ³ | 0.45 |
| CONSTRUCTION | Rack Size | mm | 500 x 500 |
| | Distance Between Rails | mm | 500 x 500 |
| | Rack's Drives/Frame Construction | | Embossed |
| | Max Door/Hood Opening | mm | 365 |
| | Max Glasses/Plate Height | mm | 325 |
| | General Construction | | Single Skin |
| | Door/Hood Construction | | Double Skin |
| TANK | Tank Construction | | Pressed |
| | Tank Volume | Litre | 20 |
| | Tank Heating Element | W | 2200 |
| | Tank Surface Strainers | | Yes - Composite |
| WASH PUMP | Wash Pump Type | | Double Flow |
| | Wash Pump Power | W | 470 |
| | Wash Temperature | °C | 60 |
| BOILER | Boiler Type | | Without Pressure |
| | Boiler Volume | Litre | 6 |
| | Back-Flow System | | Break Tank |
| | Boiler Heating Element | W | 2730 |
| RINSE | Rinse Booster Pump | | Yes |
| | Rinse Booster Pump Power | W | 200 |
| | Rinse Temperature | °C | 80 |
| | Rinse Water Consumption | Litre/Rack | 2.2 |
| | Optimal External Water Pressure | Bar | 1 - 4 |
| DRAIN | Drain System | | Partial Drain |
| | Drain Pump | | Standard Built In |
| RINSE AID & DETERGENT DISPENSER | Rinse Aid Dispenser | Peristaltic | Yes |
| | Detergent Dispenser | Peristaltic | Yes |
| WASH | Wash Cycle | Sec | 60 - 120 - 150 Continuous |
| | Self Cleaning - Drain | | Yes |
| POWER | Electric Power | W | 3200 |
| | Electric Connection | V - Ph - Hz | 240v 1n 50hz |
| | Fuse | Amp | 15 |
| WASH SOFTENER | Water Softener | | No |
| INSTALLED PARTS | Plate Rack | N°1 | Yes |
| | Cutlery Rack | N°4 | Yes |
| | Drain Hose | N°1 | Yes |
| | Fill Hose "Watermark" | N°1 | Yes |

TECHNICAL DATA SHEET

DISHWASHER | PE500

Code 4012336



This product has been manufactured for commercial use only.

DIMENSIONS & WEIGHT

| | |
|------------|-------|
| Width | 575mm |
| Depth | 605mm |
| Height | 820mm |
| Net Weight | 56Kg |

